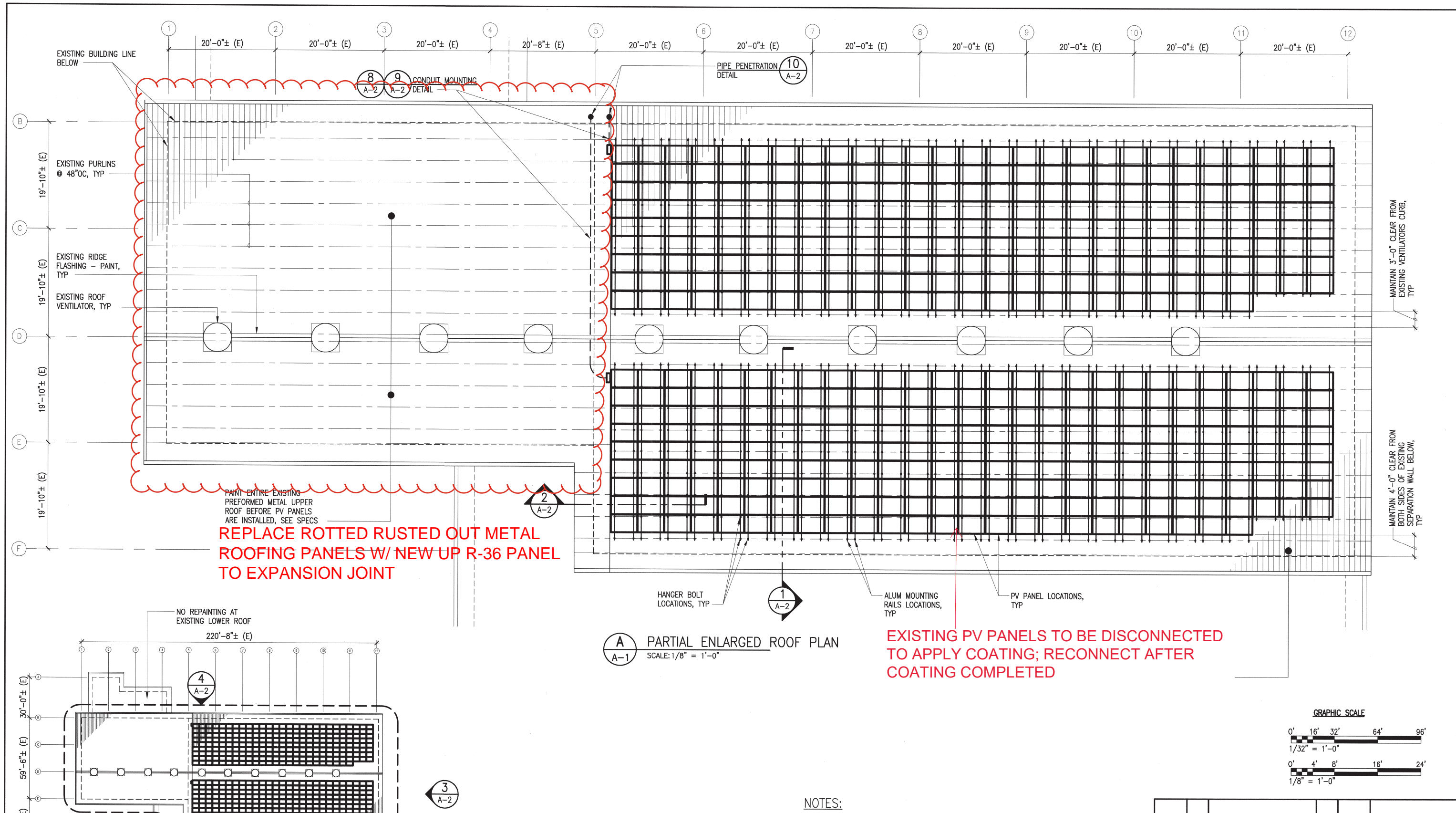


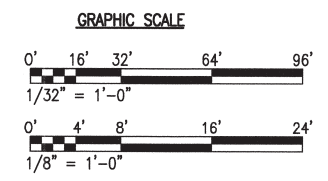
CENTRAL SERVICES ADMINISTRATION SITE PLAN
 SCALE: 1" = 40'



REPLACE ROTTED RUSTED OUT METAL ROOFING PANELS W/ NEW UP R-36 PANEL TO EXPANSION JOINT

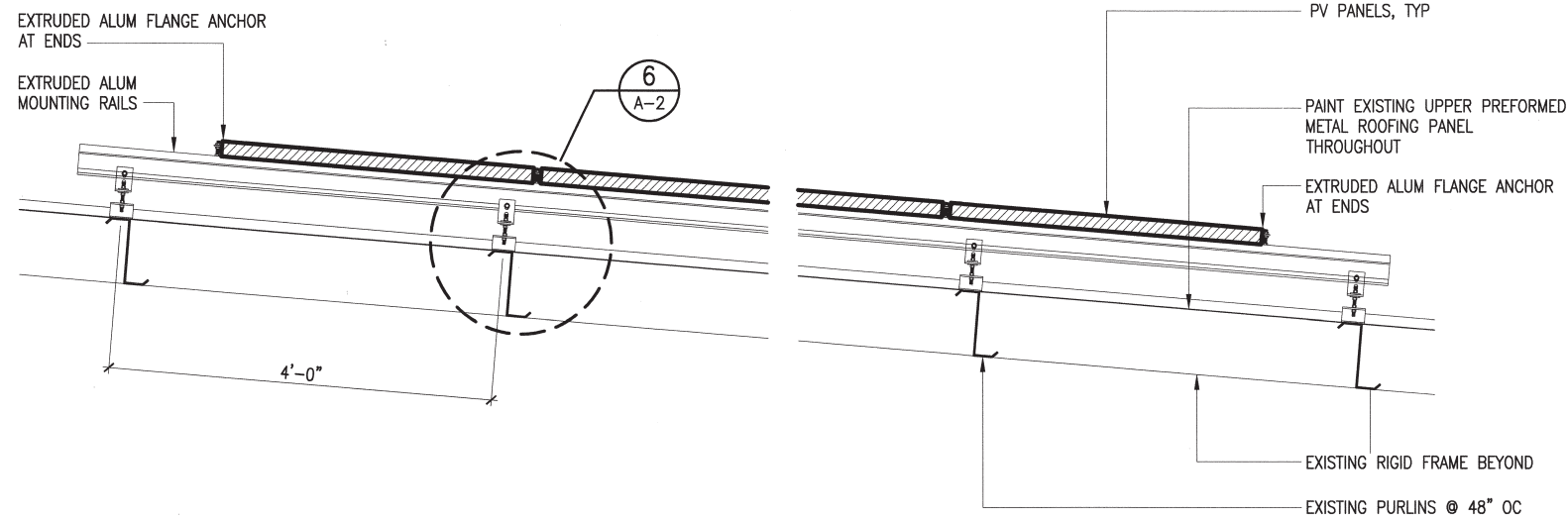
EXISTING PV PANELS TO BE DISCONNECTED TO APPLY COATING; RECONNECT AFTER COATING COMPLETED

A PARTIAL ENLARGED ROOF PLAN
SCALE: 1/8" = 1'-0"

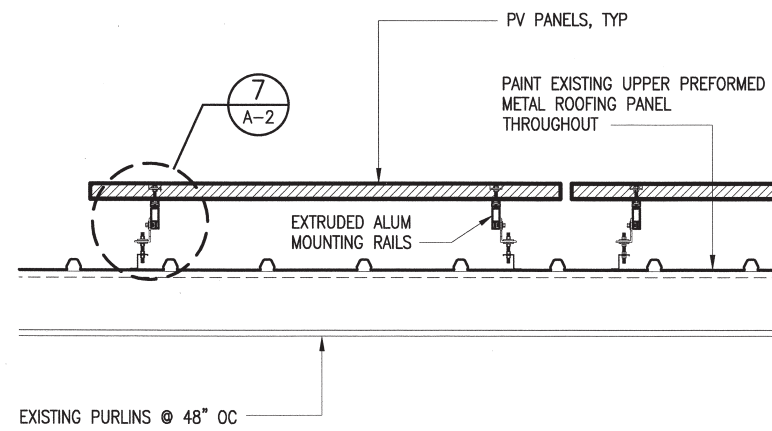


NOTES:

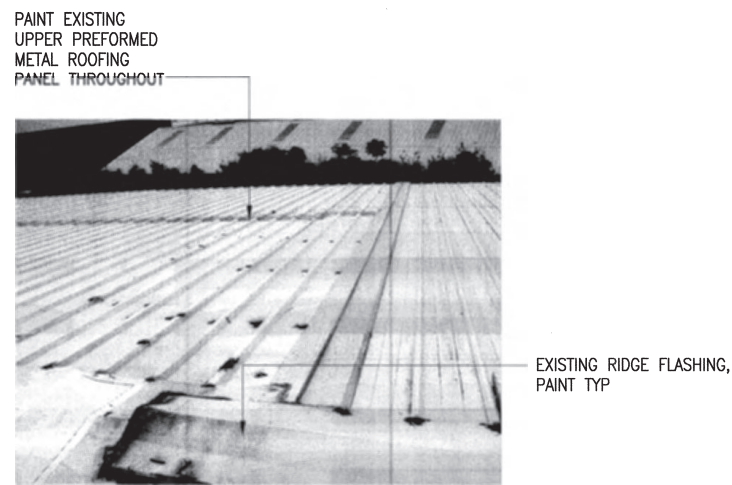
**BACK OUT FASTENERS
& APPLY SEALANT
AT THREAD AND REFASTEN**



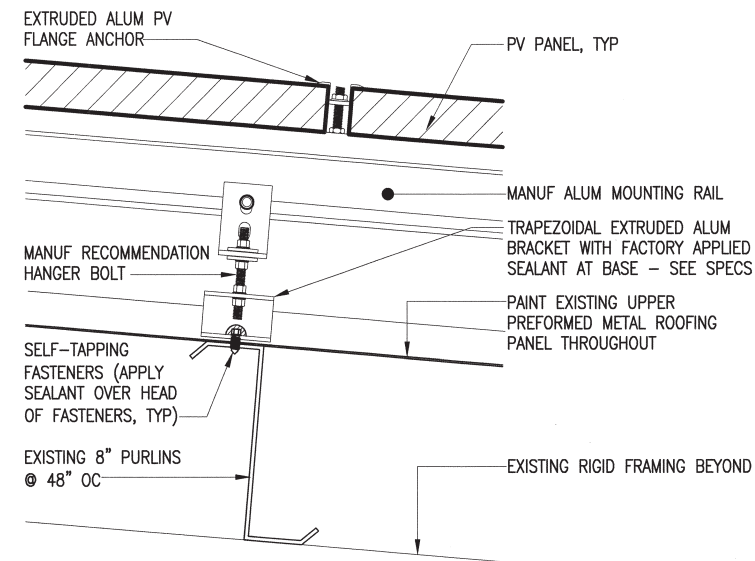
1 PV PANEL MOUNTING DETAIL
A-2 SCALE: 1" = 1'-0"



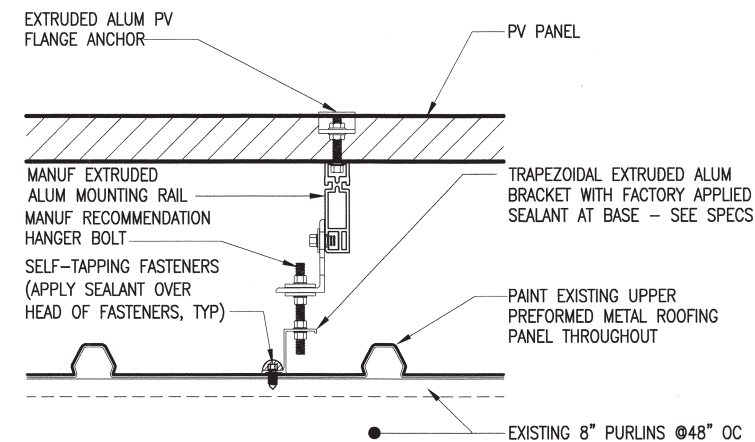
2 PV PANEL MOUNTING DETAIL
A-2 SCALE: 1" = 1'-0"



4 EXISTING TYPICAL ROOFING
A-2 SCALE: NOT TO SCALE

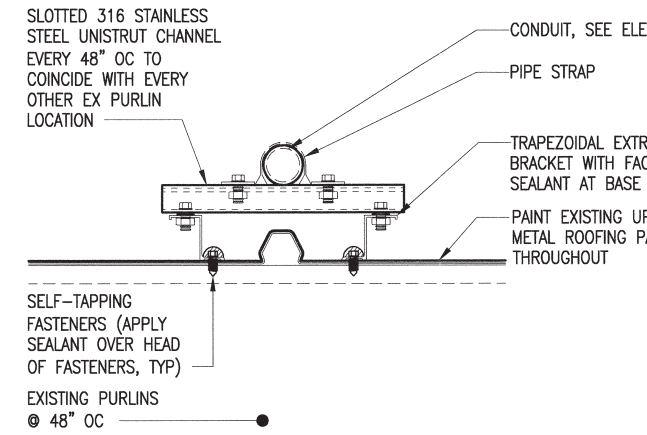


6 PV MOUNTING DETAIL
A-2 SCALE: 3" = 1'-0"

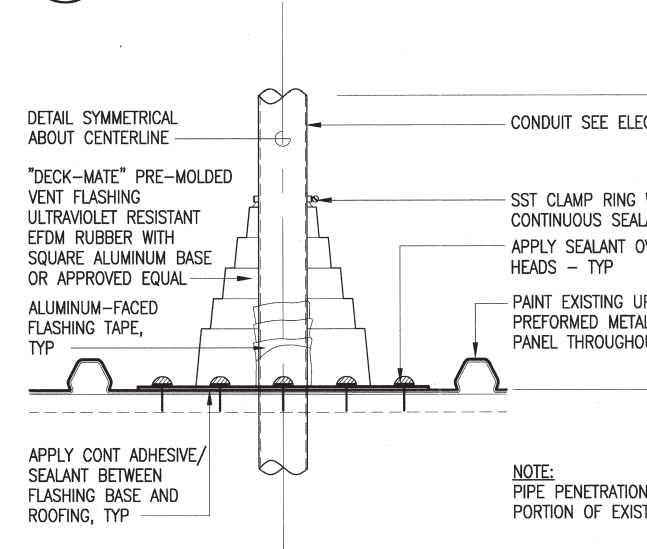


7 PV MOUNTING DETAIL
A-2 SCALE: 3" = 1'-0"

SLOTTED 316 STAINLESS STEEL UNISTRUT CHANNEL EVERY 48" OC TO



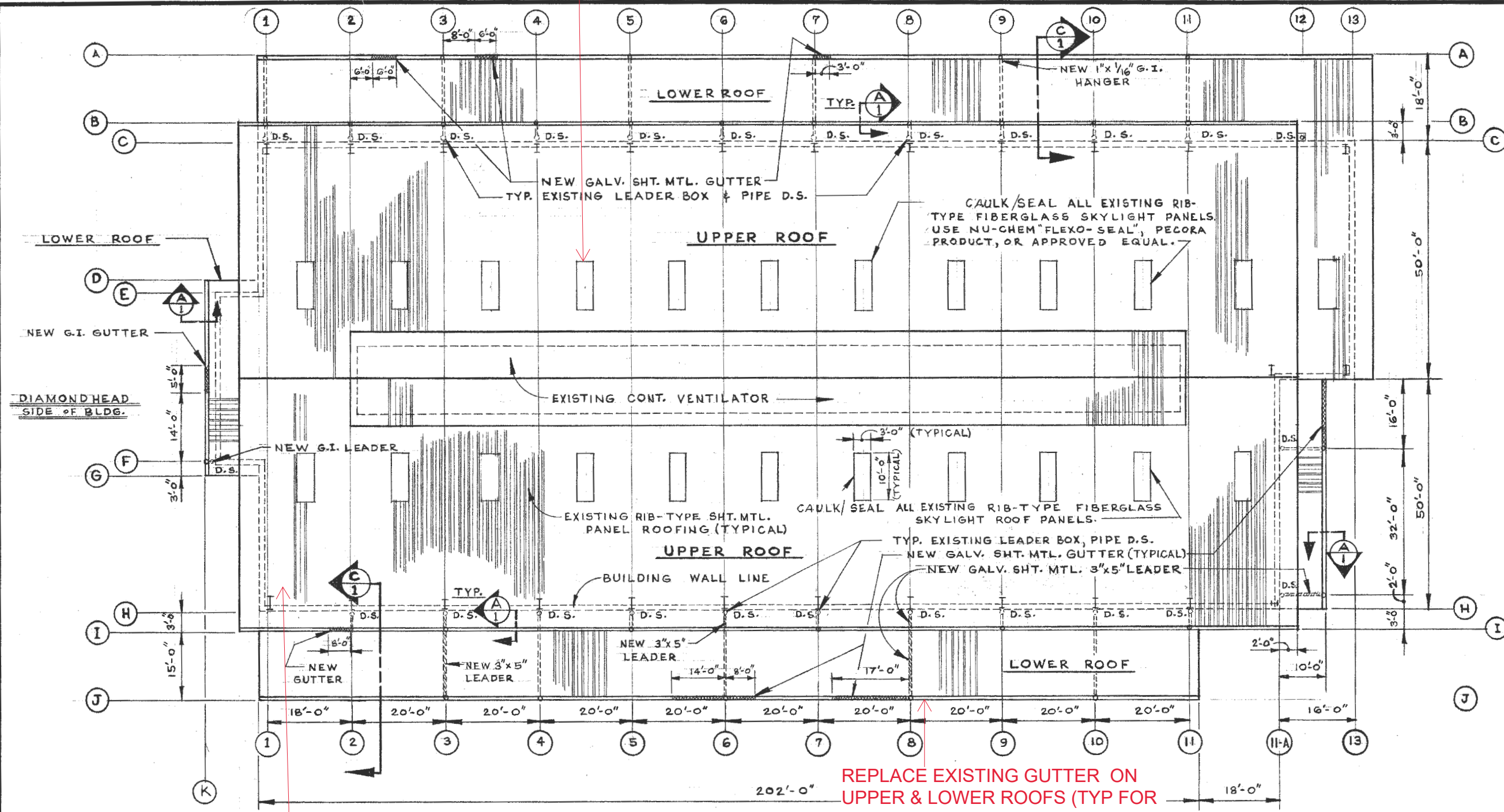
9 CONDUIT SUPPORT DETAIL
A-2 SCALE: 3" = 1'-0"



10 ROOF PENETRATION DETAIL
A-2 SCALE: 3" = 1'-0"

GRAPHIC SCALE

APPLY SEALANT
AROUND SKYLIGHT
(TYP.)



APPLY COATING
ON ENTIRE
METAL ROOF

REPLACE EXISTING GUTTER ON
UPPER & LOWER ROOFS (TYP FOR
MAUKA & MAKAI SIDES)

ROOF PLAN
SCALE: 1/16" = 1'-0"

- REMOVE EXISTING RUSTED GUTTER, REPLACE W/ NEW GUTTER.
- REMOVE EXISTING RUSTED LEADER, REPLACE W/ NEW LEADER.

REMOVE BOLTS & LIFT-UP
EXISTING "Z" PURLINS W/ N
WHERE INDICATED.

NEW OR EXIST. G.I. SHT.
MTL. GUTTER WITH
WIRE BASKET STRAINER

NEW OR EXIST. 3"x5" G.I.
SHT. MTL. LEADER

NEW REPLACEMENT GUTTER
LEADERS ARE SHOWN ON
PLAN. WIRE BRUSH ALL
RUSTED SHEETMETAL G
D.S. LEADERS TO REMA
REPAINT ALL NEW & E
GUTTERS, DOWNSPOUTS,

A TYP. GUTTER
SCALE

EXISTING CORRUG. SHT.
REPAINT NEW & EXISTING "Z" P
NEW 9 1/2" "Z" STEEL P
NEW GALV. SHT. MTL. G

NEW OR EXISTING
GALV. 3"x5" SHT. MTL.
EXISTING CORRUG. SHT. MTL.

A NEW OR EXIST. G.I. SHT.
NEW 9 1/2" "Z" STEEL

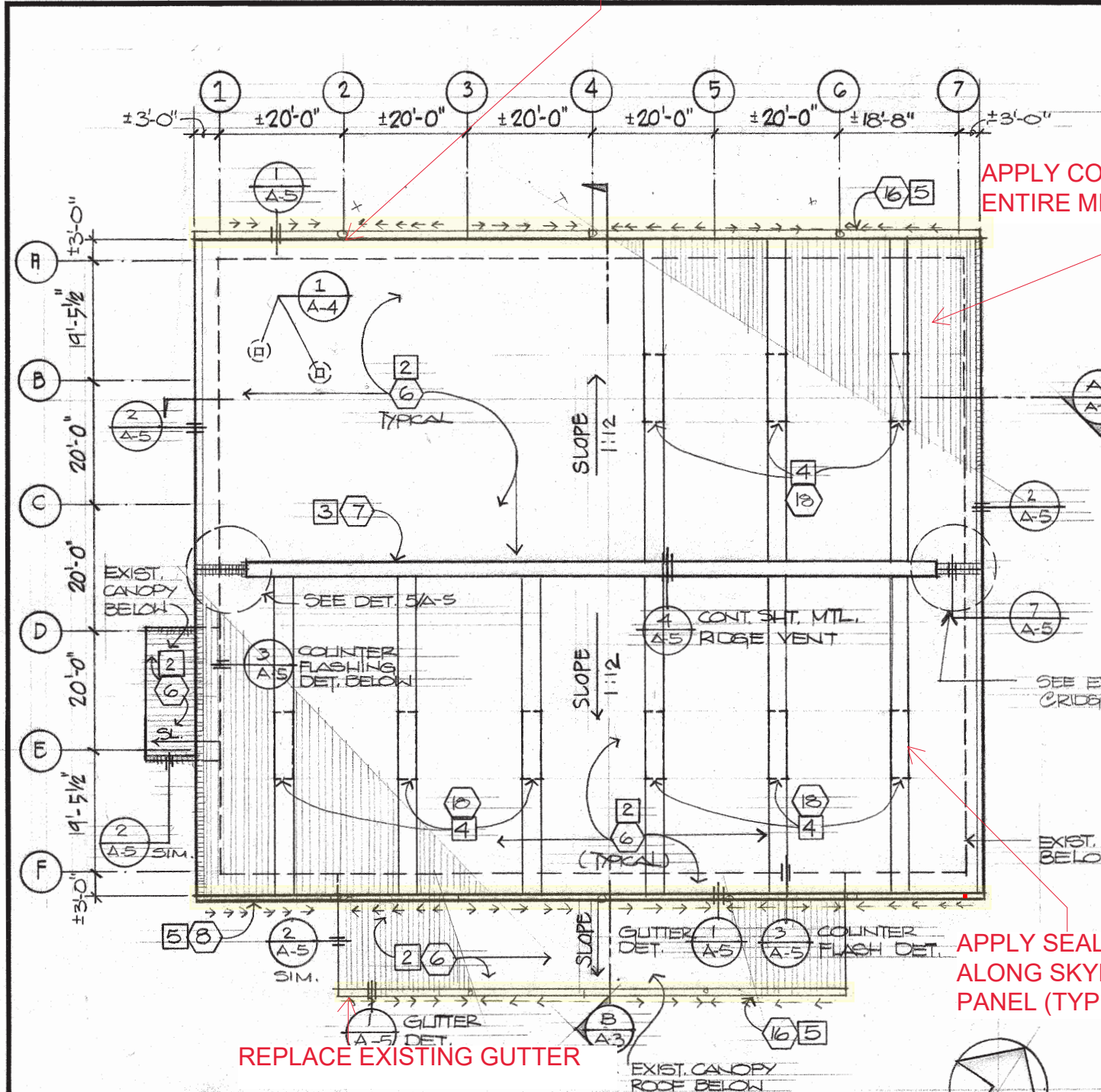
REUSE EXIST'G. STIP
EXISTING STL. STEEL
NEW OR EXIST. G.I. 3"x5" SHT.

REPLACE EXISTING GUTTER
ON BOTH SIDES OF UPPER ROOF

APPLY COATING ON
ENTIRE METAL ROOF

APPLY SEALANT
ALONG SKYLIGHT
PANEL (TYP.)

REPLACE EXISTING GUTTER



ROOF PLAN
SCALE: 1/16" = 1'-0"

